

FIRESAFE STEEL CIRCULAR CABLE CONDUIT

PRODUCT DATA SHEET

Date: 30.03.2015
Prepared by: PP
Approved by: AK
Rev. Date: 12.11.2018
Rev : 2
Pro doc-Norway: RISEFR AA-050
Pro doc-Europe: ETA 15/0026
DoP.: FIR/PP/GPG-2505-2015-
WM 15/0026

PRODUCT DESCRIPTION

FIRESAFE circular cable conduit has been tested and developed for use in fire resistance class EI 60 to EI 120.

FIRESAFE circular cable conduit is a system that allows installation of new cables later.

FIRESAFE circular cable conduit is made of 1.5 mm thick white powder-coated steel. The cable conduit is fitted internally with an intumescent laminate in each end of the conduit, that quickly closes the penetration in the event of a fire.

In addition, FIRESAFE circular cable conduit contains a circular cold-smoke seal of 100 mm stone wool in the middle of the conduit.

Cable conduit \varnothing 70. Outside dimension: \varnothing 76 mm. Inside dimension: \varnothing 68 mm.

Cable conduit \varnothing 50. Outside dimension: \varnothing 52 mm. Inside dimension: \varnothing 43 mm.

Cable conduit \varnothing 30. Outside dimension: \varnothing 32 mm. Inside dimension: \varnothing 24 mm.

Cable conduits \varnothing 30, \varnothing 50 and \varnothing 70 mm are available in length 330mm.

AREAS OF USE

Fire classified floors according to EN 1363-1: Coatings / molded covers (density 600 - 650 kg/m³) \geq 150mm.

Fire-classified walls according to EN 1363-1: Plasterboard or masonry / cast construction (density 600 - 650 kg/m³) \geq 100mm.

FIRESAFE circular cable conduit is used in combination with FIRESAFE GPG MORTAR in multiple or single penetrations.

Circular cable conduit can be used with all types of electric cable and telecom cables with a diameter of \leq 21 mm, and with plastic electrical cable conduits with a diameter of \leq 32 mm, or it can remain empty for later use. However, the cold-smoke seal must be in place at all times.

INSTALLATION OF CABLE AND PLASTIC CABLE CONDUIT

FIRESAFE circular cable conduit contains a bag of stone wool for cold-smoke seal. When used the whole bag can be reinstalled into the cable conduit, or the stone wool can be removed from the bag and placed back into the conduit around the cables if necessary.

Make sure that the stone wool is compressed sufficiently for good cold-smoke seal.

PRODUCT DOCUMENTATION

RISEFR AA-050 and ETA 15/0026 for FIRESAFE GPG MORTAR.

INSTALLATION AND FIRE RESISTANCE

See installation instructions for FIRESAFE GPG MORTAR.

DELIVERY FORM

Delivered as single product.

ARTICLE NO

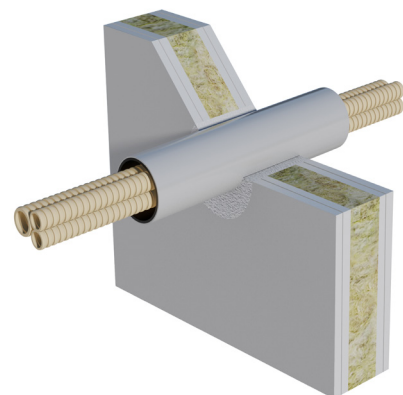
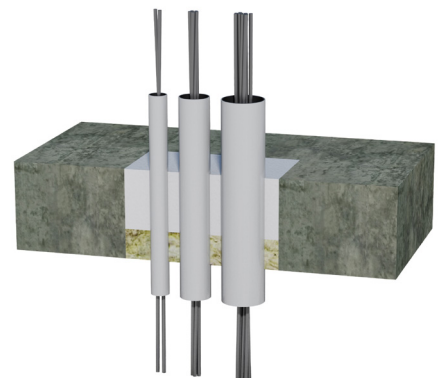
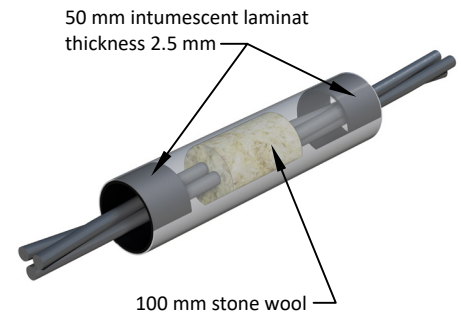
Cable conduit \varnothing 70 mm. FS - Article No: 102 001. EI- No : 1217806.

Cable conduit \varnothing 50 mm. FS - Article No: 102 002. EI- No : 1217805.

Cable conduit \varnothing 30 mm. FS - Article No: 102 003. EI- No : 1217804.

HEALTH AND SAFETY

There are no health or safety issues related to the product.



FIRESAFE

All information given in this data sheet, should be viewed as normative values obtained from tests and our collective knowledge and experience of the product. This information must not be used as the basis of or verification for other tests or systems. Firesafe AS takes no responsibility for other uses or incorrect uses of the product. The user is responsible for ensuring that the most recent version of this document is used. This can be checked on our website, www.firesafe.no. This document may not be copied without the written consent of Firesafe AS.

Firesafe AS, Robsrudskogen 15, PO Box 6411 Etterstad, NO-0605 Oslo, Norway
Telephone: +47 22 72 20 20. E-mail: firmapost@firesafe.no