

# FIRESAFE WRAP LX

PRODUCT DATA SHEET

Date: 22.01.2010  
 Prepared by: PP  
 Approved by: AK  
 Rev. Date: 20.11.2018  
 Rev : 2  
 Pro doc-Norway: RISEFR 030-0256  
 Pro doc-Europe: ETA 15/0026  
 DoP.: FIR/PP/GPG-2505-2015-  
 WM 15/0026

## PRODUCT DESCRIPTION

FIRESAFE Wrap LX is used for combustable and non-combustible pipes in combination with FIRESAFE GPG MORTAR.

FIRESAFE Wrap LX is a graphite-based intumescent tape, tested and developed for use on the following installations, classified to fire resistance class **EI 60** to **EI 240**:

- Pipes of steel and copper insulated with ISOVER CLIMPIPE Section Alu2 glass wool (GLAVA® Rørskål), A2L-s1, d0.
- Pipes of steel and copper, pipes of aluminium Alu-PEX insulated with cellular rubber, B/ B<sub>L</sub>-s3, d0.
- Pipes of fiberglass, type Climatherm faser.
- Pipes of plastic PP-PE-PVC and plastic floor drains.

## TECHNICAL DATA

<b>Colour:</b>	Dark grey
<b>Fire resistance class:</b>	EI 60 up to EI 240, depending on type of installation and construction
<b>Density:</b>	1.15 ± 0.15g/cm <sup>3</sup>
<b>Expansion temperature:</b>	Approx. +190°C
<b>Expansion ratio:</b>	Minimum 1:18 (30 minutes/550°C)
<b>Expansion pressure:</b>	0.4 – 0,85N/mm <sup>2</sup> (300°C)
<b>Thermal conductivity:</b>	0.283 W/mK
<b>Reaction to fire:</b>	B2, normal combustable
<b>Packaging:</b>	1 roll of 18m, packed in cardboard carton
<b>Installation:</b>	Use a tape to secure layers of FIRESAFE WRAP LX around pipes
<b>Thickness:</b>	2.5mm per layer
<b>Standard height:</b>	50mm
<b>Storage:</b>	Store dry, between +5 °C and +30 °C, max. 70% RH, avoid condensation and UV-radiation
<b>Durability:</b>	Endless, if stored according to instructions
<b>Flash point:</b>	Not applicable
<b>Emissions of hazardous substances:</b>	No formaldehyde or asbestos

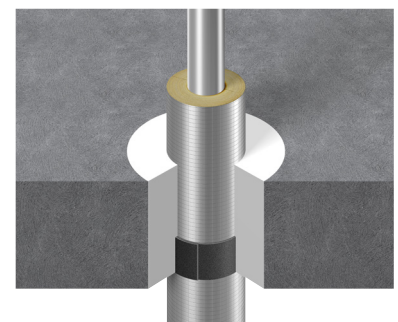
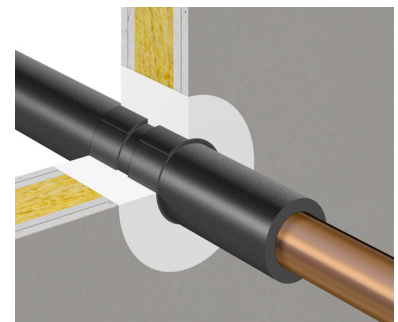
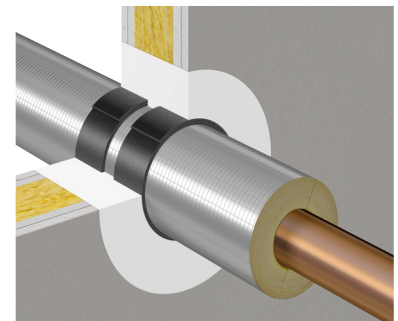
## AREAS OF USE

Fire classified floors according to EN 1363-1: Coatings / Molded Covers (density 600 - 650 kg/m<sup>3</sup>) ≥ 150mm.

Fire-classified walls according to EN 1363-1: Plasterboard or masonry / Cast construction (density 600 - 650 kg/m<sup>3</sup>) ≥ 100mm.

## HEALTH AND SAFETY

There are no health or safety issues related to the product.



**FIRESAFE**

*All information given in this data sheet, should be viewed as normative values obtained from tests and our collective knowledge and experience of the product. This information must not be used as the basis of or verification for other tests or systems. Firesafe AS takes no responsibility for other uses or incorrect uses of the product. The user is responsible for ensuring that the most recent version of this document is used. This can be checked on our website, [www.firesafe.no](http://www.firesafe.no). This document may not be copied without the written consent of Firesafe AS.*

Firesafe AS, Robsrudskogen 15, PO Box 6411 Etterstad, NO-0605 Oslo, Norway  
 Telephone: +47 22 72 20 20. E-mail: [firmapost@firesafe.no](mailto:firmapost@firesafe.no)